

→
REF. HZ-3805G
LUXURY SPA BED



TECHNICAL FEATURES



Length:	190 cm
Width	
With armrest:	94 cm
Without armrest:	70 cm
Height:	72-90 cm
Foam Thickness:	8 cm
Weight:	81 kg
Max. Load:	150 kg
Motors:	3
Upholstery:	PU <input type="radio"/>
Wood:	<input checked="" type="radio"/> <input type="radio"/>

MOTOR FUNCTIONS



- Height (flat position): 72-90 cm
- Backrest 70° inclination
- Footrest 20° inclination

INCLUDES



- Hand controller
- Breather hole with cushion
- Armrest
- Paper roll holder

ACCESORIES



- Bed Cover

CERTIFICATIONS



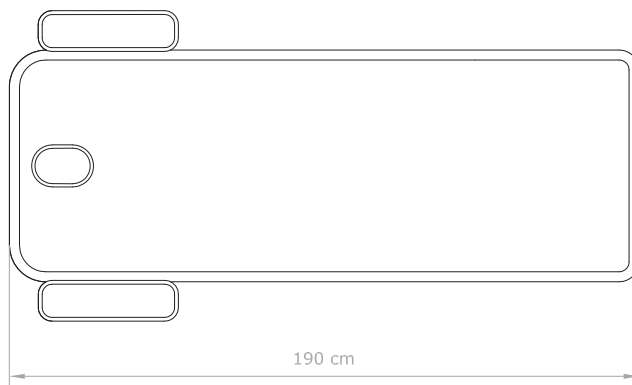
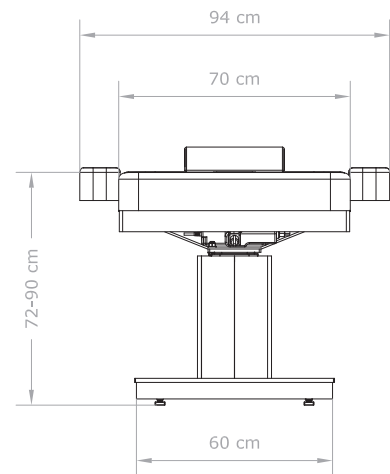
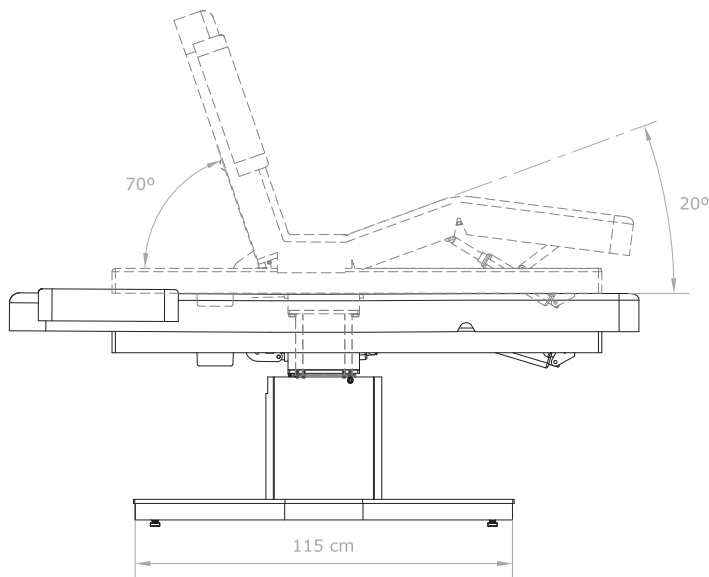
- 2014/30/EU Electromagnetic Compatibility
- 2014/35/EU Low Voltage Directive

Bere

→
TECHNICAL DATA SHEET

vibbel

→
REF. HZ-3805G
LUXURY SPA BED



KG 150 kg
max