

# Lomi Plus

CONFY CARE

→  
TECHNICAL DATA SHEET

→  
REF. EL05  
ELECTRIC TREATMENT TABLE



## TECHNICAL FEATURES

→

3 -section table

Length: 195 cm

Width: 50-66 cm

Height: 50,5-94,5 cm

Weight: 77 kg

Max. Load: 250 kg

Motors: 2

Foam thickness: 5 cm

Density: 36 kg/m<sup>3</sup>

Upholstery: PVC ●

Optional colors: ● ○ ● ● ● ● ●

## MOTOR FUNCTIONS

→

- Height (flat position): 50,5-94,5 cm
- Trendelenburg 25°

## MANUAL FUNCTIONS

→

- Headrest (-42° to +45°) inclination by gas lift
- Footrest (0° to +70°) inclination by gas lift
- Adjustable armrests

## INCLUDES

→

- Peripheral switch for height
- Foot controller for Trendelenburg
- Hole headrest
- 4 retractable big wheels system for easier movement
- Paper roll holder
- Foldable lateral armrests

## CERTIFICATIONS

→

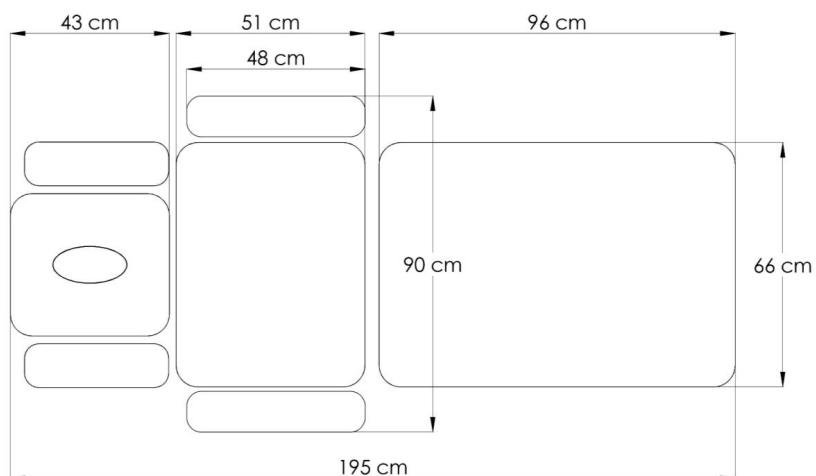
- Class I Medical Device. European regulation of medical devices (EU) 2017/745

# Lomi Plus

CONFY CARE

→  
TECHNICAL DATA SHEET

→  
REF. EL05  
ELECTRIC TREATMENT TABLE



**KG** 250 kg  
max

