

Qaus Warm

→
TECHNICAL DATA SHEET

sonia®
BEAUTY CONCEPT

→
REF. HZ-3838-H
ELECTRIC SPA BED WITH
HEATING



TECHNICAL FEATURES

→

Length:	200 cm
Width:	76 cm
Height:	65-83 cm
Foam Thickness:	12 cm
Weight:	108 kg
Max. Load:	200 kg
Motors:	4
Upholstery:	PU ○
Wood:	●

CERTIFICATIONS

→

- 2014/30/EU Electromagnetic Compatibility
- 2014/35/EU Low Voltage Directive

MOTOR FUNCTIONS

→

- Height with 2 motors (flat position): 65-83 cm
- Trendelenburg 10°
- Backrest 75° inclination & Footrest 20° inclination

MANUAL FUNCTIONS

→

- Adjustable armrest

INCLUDES

→

- Heating
- Hand controller
- Breather hole
- Memory positions
- Paper roll holder

ACCESORIES

→

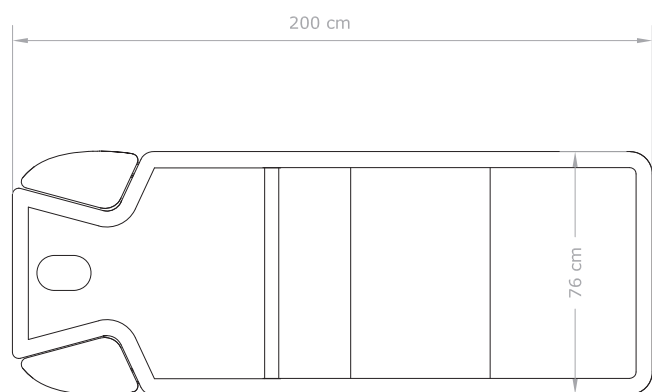
- Bed Cover

Qaus Warm

→
TECHNICAL DATA SHEET

sonia®
BEAUTY CONCEPT

→
REF. HZ-3838-H
ELECTRIC SPA BED WITH
HEATING



KG 200 kg
max

