

→
REF. HZ-3838
ELECTRIC SPA BED



TECHNICAL FEATURES



| | |
|-----------------|----------|
| Length: | 200 cm |
| Width: | 76 cm |
| Height: | 65-83 cm |
| Foam Thickness: | 12 cm |
| Weight: | 108 kg |
| Max. Load: | 200 kg |
| Motors: | 4 |
| Upholstery: | PU ○ |
| Wood: | ● |

CERTIFICATIONS



- 2014/30/EU Electromagnetic Compatibility
- 2014/35/EU Low Voltage Directive

MOTOR FUNCTIONS



- Height with 2 motors (flat position): 65-83 cm
- Trendelenburg 10°
- Backrest 75° inclination & Footrest 20° inclination

MANUAL FUNCTIONS



- Adjustable armrest

INCLUDES



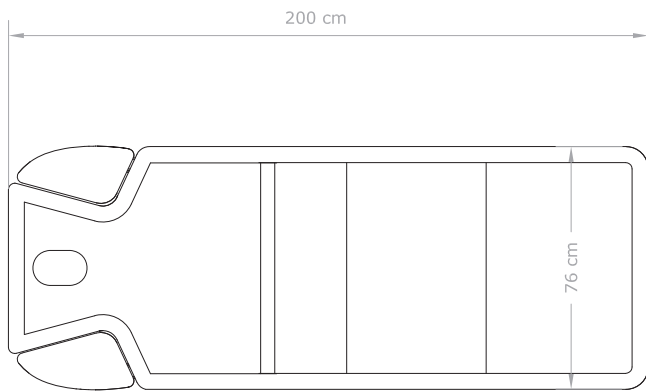
- Hand controller
- Breather hole
- Memory positions
- Paper roll holder

ACCESORIES



- Bed Cover

→
REF. HZ-3838
ELECTRIC SPA BED



KG 200 kg
max

