

→
REF. HZ-3805
ELECTRIC SPA BED



TECHNICAL FEATURES



Length:	187 cm
Width	
With armrest:	95 cm
Without armrest:	72 cm
Height:	67-85 cm
Foam Thickness:	8 cm
Weight:	61 kg
Max. Load:	150 kg
Motors:	1
Upholstery:	PU ○
Wood:	● ○

CERTIFICATIONS



- 2014/30/EU Electromagnetic Compatibility
- 2014/35/EU Low Voltage Directive

MOTOR FUNCTIONS



- Height (flat position): 67-85 cm

MANUAL FUNCTIONS



- Backrest 55° inclination (by gas lift)

INCLUDES



- Hand controller
- Breather hole with cushion
- Armrest
- Paper roll holder

ACCESORIES



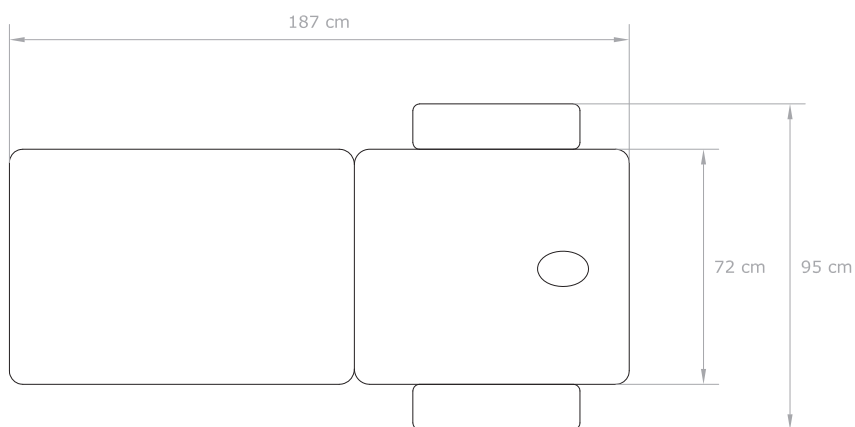
- NEB 1 Foot controller
- Bed Cover

Rukba

→
TECHNICAL DATA SHEET

vibbel

→
REF. HZ-3805
ELECTRIC SPA BED



KG 150 kg
max

