

Breaking the rules

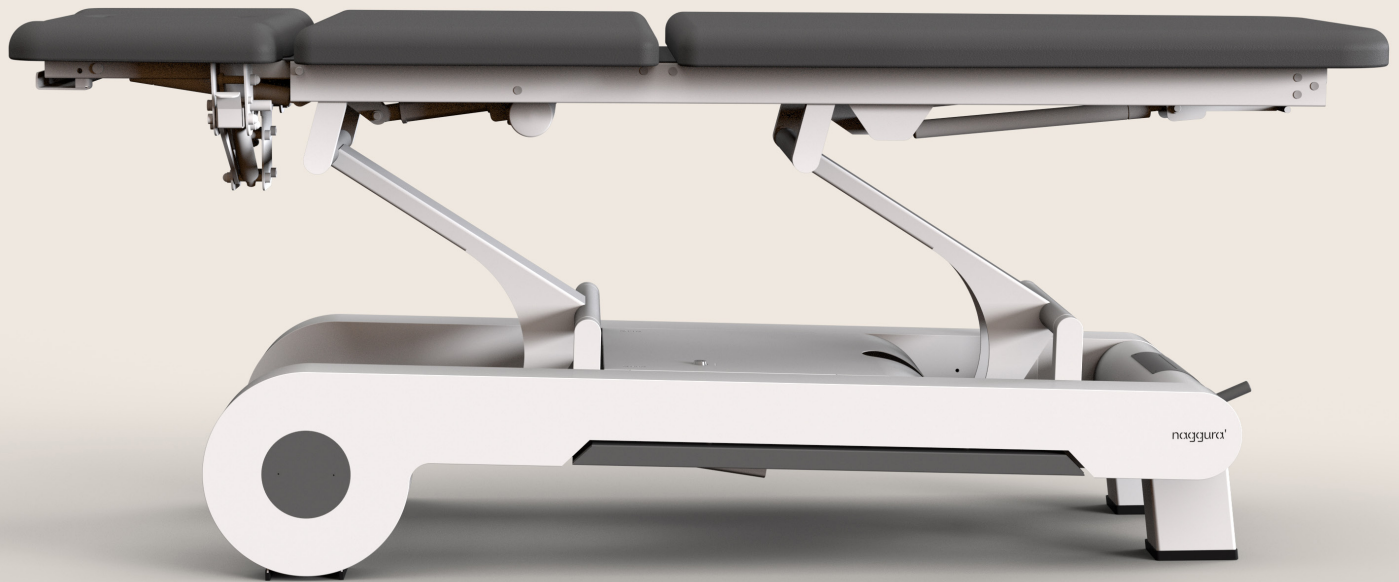


V1.0

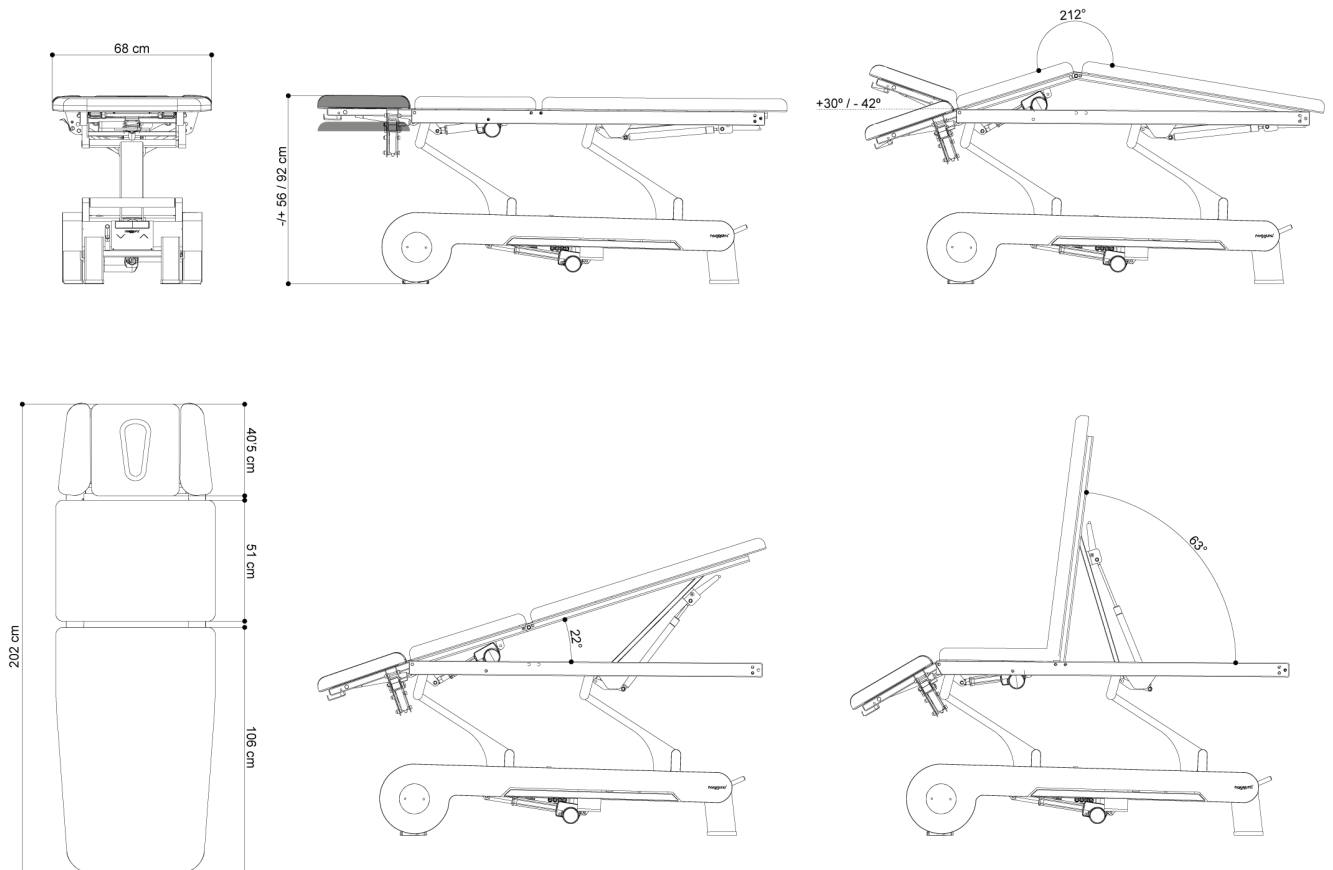
naggura'n



naggura.com



Dimensions and Functions



General Specifications

MOTORS

- 1 engine height (6000 N)
- 1 motor middle section (6000 N)

HEIGHT ADJUSTMENT

-/+ 56/92 cm

WEIGHT

148'5 kg

LIFTING CAPACITY

250 kg

POWER SUPPLY

- AC100 – 120V, 50/60 Hz
- AC220 – 240V, 50/60 Hz

INSULATION CLASS

Reinforced insulation II

PRODUCT CLASSIFICATION

Class I Equipment

APPLIED PARTS

Type B

MOISTURE RESISTANCE

IPX0

CONFORMITY

- IEC 60601-1:2005 , IEC 60601-1:2005/AMD1:2012
- EN 60601-1-2:2015 , IEC 60601-1-6:2010
- IEC 60601-1-6:2010/AMD1:2013 , ISO 10993-10:2010
- ISO 10993-5:2009

FRAME COLOUR

RAL 7047 + RAL 7011

FEEDER CABLE

3m, White

Operation

TwinLift® arm supports: stepless and simultaneously adjustable with gas spring. No collision with the therapist.

Head section with 2 gas springs.

Fully integrated peripheral switch, easy access from all sides of the table.

4 wheels turning 360°. Fully integrated system underneath the base frame. 2 levers lift the table on its 4 wheels.

Electrically adjustable middle section. Switches on both sides.

Foot section with 1 gas spring.

Safety

Safety switch with key (power off).

Double tip system with automatic standby system (5 sec), for all motors.

Upholstery

THICKNESS

5cm

DENSITY

40kg/m³

Breathing hole and plug.

Seamless upholstery with round edges.

Coating: 100% vinyl. Permablok 3 © advanced vinyl protection (against germs and bacteria). Superior abrasion resistance: >300K cycles.

Flame retardancy: NF P 92-503/M2

● Colour: Graphite

Warranty

2 years on table and upholstery.

Accessories

3 models of stools, 5 colours



Paper roll holder



Bed covers, 2 colours

